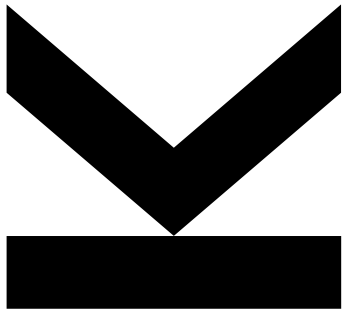


# **a QUICK introduction**

## **(QUantum Information & Computation @ Kepler)**



Bachelor thesis information event

25.01.2024

*Richard, Kristina & Viet*

# Who are we?

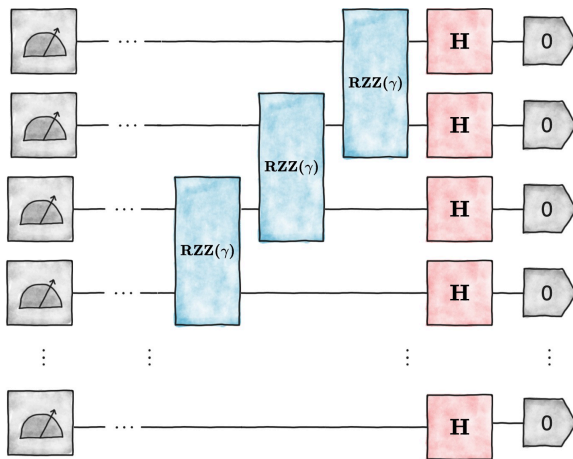


Quantum Information and Computation  
at the J. Kepler university (QUICK) group

- diverse & international
- curious & creative
- no bullshit attitude



# What do we care about?



- quantum algorithms: design, analysis & implementation
- characterization, verification & benchmarking
- randomized algorithm design (think SGD)
- (convex) optimization
- (math of) data science, signal processing & machine learning
- outreach & knowledge transfer (science+art)
- etc.



# Who are we looking for?

- curious minds, passion
- international mindset
- diverse set of interests
- team players
- no bullshit attitude (scientific rigor!)
- 'grit'

## exemplary projects:

- reversible (quantum?) game of life
- (binary) classification on encrypted data
- quantum features of random  $n$ -qubit states
- your own ideas (!)

